

ROBOTICS

Product specification

IRB 1200



Trace back information:

Workspace R18-2 version a10 (not checked in)

Published 2018-10-10 at 10:52:04

Skribenta version 5.3.008

Product specification

IRB 1200-5/0.9

IRB 1200-5/0.9 type A

IRB 1200-5/0.9 type B

IRB 1200-7/0.7

IRB 1200-7/0.7 type A

IRB 1200-7/0.7 type B

Document ID: 3HAC046982-001

Revision: J

The information in this manual is subject to change without notice and should not be construed as a commitment by ABB. ABB assumes no responsibility for any errors that may appear in this manual.

Except as may be expressly stated anywhere in this manual, nothing herein shall be construed as any kind of guarantee or warranty by ABB for losses, damages to persons or property, fitness for a specific purpose or the like.

In no event shall ABB be liable for incidental or consequential damages arising from use of this manual and products described herein.

This manual and parts thereof must not be reproduced or copied without ABB's written permission.

Keep for future reference.

Additional copies of this manual may be obtained from ABB.

Original instructions.

© Copyright 2018 ABB. All rights reserved.
Specifications subject to change without notice.

ABB AB, Robotics
Robotics and Motion
Se-721 68 Västerås
Sweden

Table of contents

Overview of this specification	7
1 Description	9
1.1 Structure	9
1.1.1 Introduction to structure	9
1.1.2 The robot	14
1.2 Standards	17
1.2.1 Applicable standards	17
1.3 Installation	19
1.3.1 Introduction to installation	19
1.3.2 Operating requirements	20
1.3.3 Mounting the manipulator	21
1.4 Load diagram	24
1.4.1 Introduction to load diagram	24
1.4.2 Load diagram	25
1.4.3 Maximum load and moment of inertia for axis 5	29
1.4.3.1 Maximum TCP acceleration	31
1.5 Fitting of equipment	32
1.5.1 Introduction to fitting of equipment	32
1.5.2 Holes for fitting extra equipment	33
1.6 Calibration	37
1.6.1 Fine calibration	37
1.6.1.1 Absolute Accuracy calibration	38
1.7 Maintenance and troubleshooting	40
1.7.1 Introduction to maintenance and trouble shooting	40
1.8 Robot motion	41
1.8.1 Working range and type of motion	41
1.8.2 Performance according to ISO 9283	44
1.8.3 Velocity	45
1.8.4 Stopping distance / time	46
1.9 Customer connections	47
2 Specification of variants and options	51
2.1 Introduction to variants and options	51
2.2 Manipulator	52
2.3 Floor cables	56
2.4 Control module	57
2.5 Process	58
2.6 User documentation	59
3 Accessories	61
3.1 Introduction to accessories	61
Index	63

This page is intentionally left blank

Overview of this specification

About this product specification

It describes the performance of the manipulator or a complete family of manipulators in terms of:

- The structure and dimensional prints
- The fulfilment of standards, safety and operating requirements
- The load diagrams, mounting of extra equipment, the motion and the robot reach
- The specification of variants and options available

Usage

Product specifications are used to find data and performance about the product, for example to decide which product to buy. How to handle the product is described in the product manual.

Users

It is intended for:

- Product managers and product personnel
- Sales and marketing personnel
- Order and customer service personnel

References

Reference	Document ID
<i>Product specification - Controller IRC5</i> IRC5 with main computer DSQC1000.	3HAC047400-001
<i>Product specification - Controller software IRC5</i> IRC5 with main computer DSQC1000 and RobotWare 5.6x.	3HAC050945-001
<i>Product specification - Controller software IRC5</i> IRC5 with main computer DSQC1000 and RobotWare 6.	3HAC050945-001
<i>Product manual - IRB 1200</i>	3HAC046983-001
<i>Product manual - IRC5 Compact</i>	3HAC035738-001
<i>Operating manual - IRC5 with FlexPendant</i>	3HAC050941-001
<i>Product specification - Robot user documentation, IRC5 with RobotWare 6</i>	3HAC052355-001

Revisions

Revision	Description
-	New product specification
A	Minor corrections
B	<ul style="list-style-type: none"> • Working range of axis 6 corrected from $\pm 360^\circ$ to $\pm 400^\circ$, see Working range on page 42. • Minor corrections/update

Continues on next page

Overview of this specification

Continued

Revision	Description
C	<ul style="list-style-type: none">• Minor corrections/update
D	<ul style="list-style-type: none">• Food grade lubrication option added.• Maximum revolution of axis 6 corrected to ± 242, see Robot motion on page 41.
E	<p>Published in release R16.2. The following updates are done in this revision:</p> <ul style="list-style-type: none">• Recommendation of fitting a fuse protector for customer protection added. See Customer connections on page 47.• Foundry Plus option added.• Type A robot information added due to new standard calibration method (Axis Calibration). See Type A of IRB 1200 on page 9.
F	<p>Published in release R17.1. The following updates are done in this revision:</p> <ul style="list-style-type: none">• Added the standard IEC 61340-5-1:2010, see Applicable standards on page 17.• A warning label about CP/CS connection provided on the tubular housing. See Customer connections on page 47.• Information about <i>Type B</i> robots supporting SafeMove 2 added.• <i>Absolute Accuracy</i> calibration added.• Restriction of load diagram added.
G	<p>Published in release 17.2. The following updates are done in this revision:</p> <ul style="list-style-type: none">• Updated list of applicable standards.• Changed the protection type of Food grade lubrication.• Updated description about Clean Room class.
H	<p>Published in release 18.1. The following updates are done in this revision:</p> <ul style="list-style-type: none">• TCP acceleration should be presented by RobotStudio.• Note added to clarify the usage of the two M4 thread holes on the upper arm.
J	<p>Published in release R18.2. The following updates are done in this revision:</p> <ul style="list-style-type: none">• TCP acceleration information updated.• Customer connector information added.

1 Description

1.1 Structure

1.1.1 Introduction to structure

General

The IRB 1200 is one of ABB Robotics latest generation of 6-axis industrial robot, with a payload of 5 to 7 kg, designed specifically for manufacturing industries that use flexible robot-based automation, e.g. 3C industry. The robot has an open structure that is especially adapted for flexible use, and can communicate extensively with external systems.

Type A of IRB 1200

Type A - Axis Calibration

The difference between IRB 1200 and IRB 1200 Type A is that the Type A is calibrated with Axis Calibration. On each axis there are bushings for installation of calibration tools.

As a result of this, the castings differ between IRB 1200 and IRB 1200 Type A.



Note

IRB 1200 Type B is designed based on IRB 1200 Type A so that Type B has the bushings for installation of calibration tools too.

The difference between IRB 1200 Type A and IRB 1200 Type B is that Type B also supports SafeMove 2. See [Type B of IRB 1200 on page 9](#).

How to know which type the robot is?

The type label on the base of the robot tells if the robot is calibrated with Axis Calibration.

Those robots are named IRB 1200 Type A.



Note

If no type label attached on the robot, use the bushings on each axis to identify a robot calibrated with Axis Calibration.

Those robots which are not equipped for Axis Calibration are simply named IRB 1200 (no type specified).

Type B of IRB 1200

Type B - SafeMove 2

The difference between IRB 1200 Type B and other IRB 1200 versions is that the Type B supports SafeMove 2.

As a result of this, the following parts differ from other versions:

- Base

Continues on next page

1 Description

1.1.1 Introduction to structure

Continued

- Drive unit, axis 2, axis 3, axis 5 and axis 6
- Motor with pulley, axis 4 and axis 5
- Manipulator cable harness
- Battery pack
- SMB unit (replacing EIB unit)

IRB 1200 Type B is designed based on IRB 1200 Type A so that Type B has the bushings for installation of calibration tools too.

How to know which type the robot is?

The type label on the base of the robot tells if the robot supports SafeMove 2.

Those robots are named IRB 1200 Type B.

Clean room robots



xx1100000959

Particle emission from the robot fulfill Clean room class 3 standard according to DIN EN ISO 14644-1.

Clean room robots are specially designed to work in a clean room environment.

According to IPA test result, the robot IRB 1200 is suitable for use in clean room environments.

Clean room robots are designed in order to prevent from particle emission from the robot. For example is, frequent maintenance work possible to perform without cracking the paint. The robot is painted with four layers of polyurethane paint. The last layer being a varnish over labels in order to simplify cleaning. The paint has been tested regarding outgassing of Volatile Organic Compounds (VOC) and been classified in accordance with ISO 14644-8.

Classification of airborne molecular contamination, see below:

Parameter				Outgassing amount		Classification in accordance to ISO 14644-8
Area (m ²)	Test duration (s)	Temp (°C)	Performed test	Total detected (ng)	Normed based on 1m ² and 1s(g)	
4.5E-03	3600	23	TVOC	2848	1.7E-07	-6.8
4.5E-03	60	90	TVOC	46524	1.7E-04	-3.8

Classification results in accordance with ISO 14644-8 at different test temperatures.

Food grade lubrication

The robot has food grade lubrication (NSF H1) as an option (777-1). The protection type for robots with food grade lubrication is Clean Room and IP67.

Continues on next page

IP67/66 protection

The robot has IP67 as an option. The option will add sealing, machining parts and gasket.

Protection type Foundry Plus 2

Robots with the option Foundry Plus 2 are designed for harsh environments where the robot is exposed to sprays of coolants, lubricants and metal spits that are typical for die casting applications or other similar applications.

Typical applications are spraying insertion and part extraction of die-casting machines, handling in sand casting and gravity casting, etc. (Please refer to Foundry Prime robots for washing applications or other similar applications). Special care must be taken in regard to operational and maintenance requirements for applications in foundry as well as in other applications areas. Please contact ABB Robotics Sales organization if in doubt regarding specific application feasibility for the Foundry Plus 2 protected robot.

The robot is painted with two-component epoxy on top of a primer for corrosion protection. To further improve the corrosion protection additional rust preventive are applied to exposed and crucial areas, e.g. has the tool flange a special preventive coating. Although, continuous splashing of water or other similar rust formation fluids may cause rust attach on the robots unpainted areas, joints, or other unprotected surfaces. Under these circumstances it is recommended to add rust inhibitor to the fluid or take other measures to prevent potential rust formation on the mentioned.

The entire robot is IP67 compliant according to IEC 60529 - from base to wrist, which means that the electrical compartments are sealed against water and solid contaminants. Among other things all sensitive parts are better protected than the standard offer.

Selected Foundry Plus 2 features:

- Improved sealing to prevent penetration into cavities to secure IP67
- Additional protection of cabling and electronics
- Special covers that protect cavities
- Well-proven connectors
- Black chrome coated tool flange
- Rust preventives on screws, washers and unpainted/machined surfaces
- Extended service and maintenance program

The Foundry Plus 2 robot can be cleaned with appropriate washing equipment according to the robot product manual. Appropriate cleaning and maintenance is required to maintain the protection, for example can rust preventive be washed off with wrong cleaning method.

Available robot versions

The option Foundry Plus 2 might not be available for all robot versions.

See [Specification of variants and options on page 51](#) for robot versions and other options not selectable together with Foundry Plus 2.

Continues on next page

1 Description

1.1.1 Introduction to structure

Continued

Operating system

The robot is equipped with the IRC5 Compact (IRC5C) or IRC5 (Single cabinet) controller and robot control software, RobotWare. RobotWare supports every aspect of the robot system, such as motion control, development and execution of application programs, communication etc. See *Product specification - Controller IRC5 with FlexPendant* (IRC5C included).

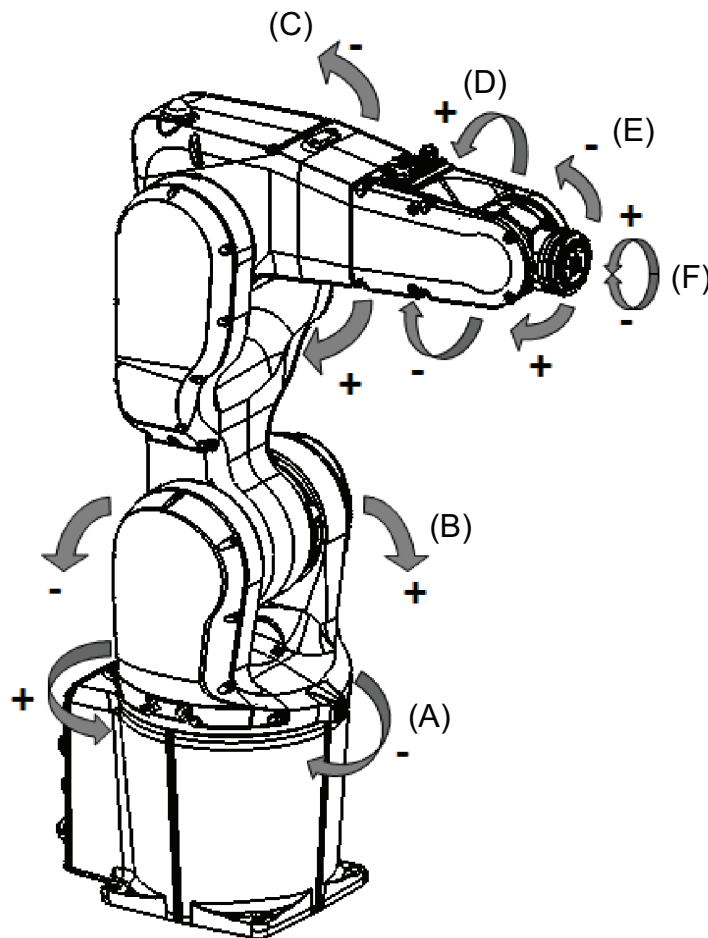
Safety

The safety standards are valid for the complete robot, manipulator and controller.

Additional functionality

For additional functionality, the robot can be equipped with optional software for application support - for example gluing and welding, communication features - network communication - and advanced functions such as multitasking, sensor control etc. For a complete description on optional software, see *Product specification - Controller software IRC5*.

Manipulator axes



xx1300000365

Continues on next page

Position	Description	Position	Description
A	Axis 1	B	Axis 2
C	Axis 3	D	Axis 4
E	Axis 5	F	Axis 6

1 Description

1.1.2 The robot

1.1.2 The robot

General

The IRB 1200 is available in two versions and both can be mounted on floor, inverted or on wall in any angle (around X-axis or Y-axis).

Robot type	Handling capacity (kg)	Reach (m)
IRB 1200	5 kg	0.9 m
IRB 1200	7 kg	0.7 m

Manipulator weight

Data	Weight
IRB 1200-5/0.9	54 kg
IRB 1200-7/0.7	52 kg

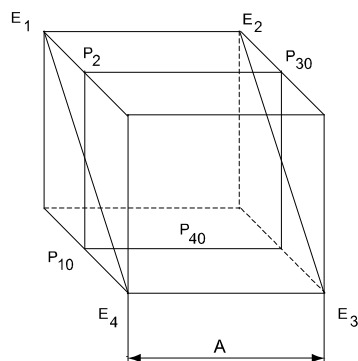
Other technical data

Data	Description	Note
Airborne noise level	The sound pressure level outside	< 70 dB (A) Leq (acc. to the working space Machinery directive 2006/42/EG)

Power consumption

Path E1-E2-E3-E4 in the ISO Cube, maximum load.

Type of movement	Power consumption (kW)	
	IRB 1200-5/0.9	IRB 1200-7/0.7
ISO Cube Max. velocity	0.45 kW	0.39 kW
Robot in 0 degree position	IRB 1200-5/0.9	IRB 1200-7/0.7
Brakes engaged	0.10 kW	0.10 kW
Brakes disengaged	0.18 kW	0.19 kW



xx0900000265

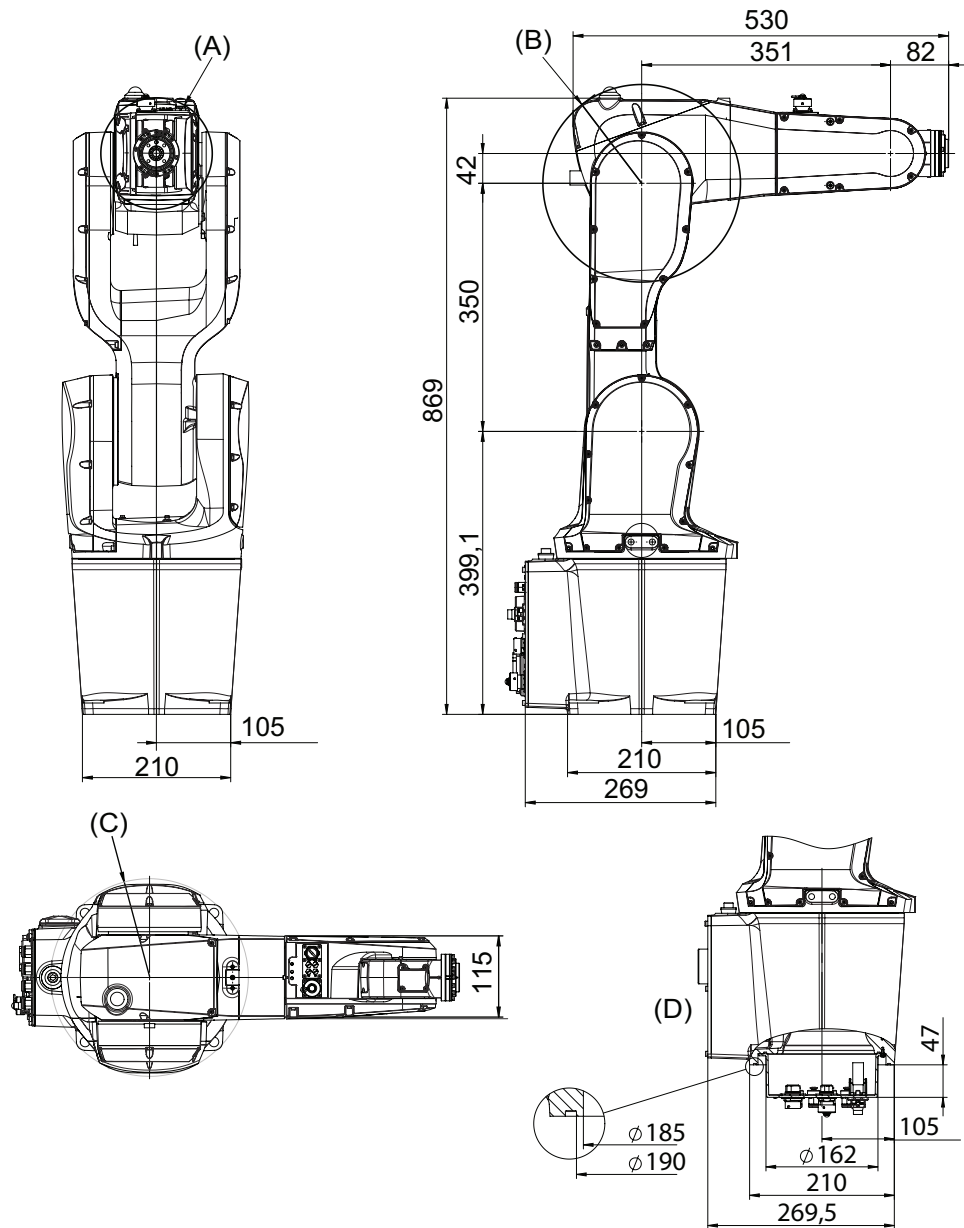
Position	Description
A	250 mm

Continues on next page

1 Description

1.1.2 The robot Continued

Dimensions IRB 1200-7/0.7



xx1300000366

Position	Description
A	Minimum turning radius axis 4 R=79 mm
B	Minimum turning radius axis 3 R=139 mm
C	Minimum turning radius axis 1 R=138 mm
D	Valid for option Robot cabling routing, 966-1 From below

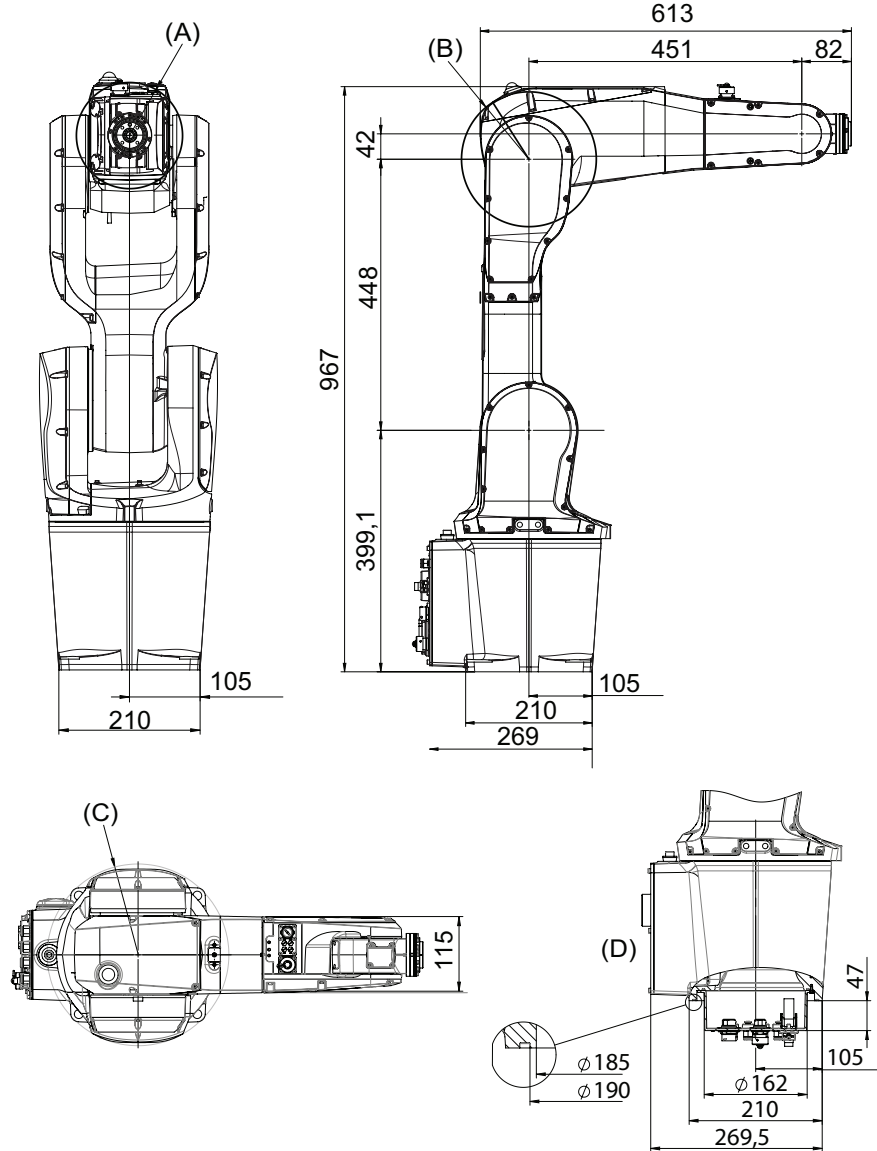
Continues on next page

1 Description

1.1.2 The robot

Continued

Dimensions IRB 1200-5/0.9



xx140000339

Pos	Description
A	Minimum turning radius axis 4 R=79 mm
B	Minimum turning radius axis 3 R=111 mm
C	Minimum turning radius axis 1 R=138 mm
D	Valid for option Robot cabling routing, 966-1 From below

1.2 Standards

1.2.1 Applicable standards



Note

The listed standards are valid at the time of the release of this document. Phased out or replaced standards are removed from the list when needed.

Standards, EN ISO

The product is designed in accordance with the requirements of:

Standard	Description
EN ISO 12100:2010	Safety of machinery - General principles for design - Risk assessment and risk reduction
EN ISO 13849-1:2015	Safety of machinery, safety related parts of control systems - Part 1: General principles for design
EN ISO 13850:2015	Safety of machinery - Emergency stop - Principles for design
EN ISO 10218-1:2011	Robots for industrial environments - Safety requirements -Part 1 Robot
ISO 9787:2013	Robots and robotic devices -- Coordinate systems and motion nomenclatures
ISO 9283:1998	Manipulating industrial robots, performance criteria, and related test methods
EN ISO 14644-1:2015 ⁱ	Classification of air cleanliness
EN ISO 13732-1:2008	Ergonomics of the thermal environment - Part 1
EN 61000-6-4:2007 + A1:2011 IEC 61000-6-4:2006 + A1:2010 (option 129-1)	EMC, Generic emission
EN 61000-6-2:2005 IEC 61000-6-2:2005	EMC, Generic immunity
EN IEC 60974-1:2012 ⁱⁱ	Arc welding equipment - Part 1: Welding power sources
EN IEC 60974-10:2014 ⁱⁱ	Arc welding equipment - Part 10: EMC requirements
EN IEC 60204-1:2006	Safety of machinery - Electrical equipment of machines - Part 1 General requirements
IEC 60529:1989 + A2:2013	Degrees of protection provided by enclosures (IP code)
IEC 61340-5-1:2010	Protection of electronic devices from electrostatic phenomena - General requirements

ⁱ Only robots with protection Clean Room.

ⁱⁱ Only valid for arc welding robots. Replaces EN IEC 61000-6-4 for arc welding robots.

Continues on next page

1 Description

1.2.1 Applicable standards

Continued

European standards

Standard	Description
EN 614-1:2006 + A1:2009	Safety of machinery - Ergonomic design principles - Part 1: Terminology and general principles
EN 574:1996 + A1:2008	Safety of machinery - Two-hand control devices - Functional aspects - Principles for design

Other standards

Standard	Description
ANSI/RIA R15.06	Safety requirements for industrial robots and robot systems
ANSI/UL 1740 (option 429-1)	Safety standard for robots and robotic equipment
CAN/CSA Z 434-14 (option 429-1)	Industrial robots and robot Systems - General safety requirements
ANSI/ESD S20.20:2007	Protection of Electrical and Electronic Parts, Assemblies and Equipment (Excluding Electrically Initiated Explosive Devices)

1.3 Installation

1.3.1 Introduction to installation

General

IRB 1200 is adapted for normal industrial environment. Depending on robot variant, an end effector with max. weight of 5 or 7 kg, including payload, can be mounted on the robot's mounting flange (axis 6). Other equipment, weighing a maximum of 0.3 kg, can be mounted on the upper arm. For more information about mounting of extra equipment, see [Fitting of equipment on page 32](#).

1 Description

1.3.2 Operating requirements

1.3.2 Operating requirements

Protection standard

Robot variant	Protection standard IEC529
All variants, manipulator	IP40
Option, all variants	IP67

Explosive environments

The robot must not be located or operated in an explosive environment.

Working range limitations

EPS will not be selectable. No mechanical limitation.

Ambient temperature

Description	Protection class	Temperature
Manipulator during operation	Standard	+ 5 °C ⁱ (41 °F) to + 45 °C (113 °F)
Manipulator with food grade lubrication during operation	Option	+ 5 °C ⁱ (41 °F) to + 35 °C ⁱⁱ (113 °F)
For the controller	Standard/Option	See <i>Product specification - Controller IRC5</i>
Complete robot during transportation and storage	Standard	- 25 °C (-13 °F) to + 55 °C (131 °F)
For short periods (not exceeding 24 hours)	Standard	up to + 70 °C (158 °F)

- ⁱ At low environmental temperature < 10°C is, as with any other machine, a warm-up phase recommended to be run with the robot. Otherwise there is a risk that the robot stops or run with lower performance due to temperature dependent oil and grease viscosity.
- ⁱⁱ For robots with food grade lubrication, if environment temperature > 35°C, contact ABB for further information.

Relative humidity

Description	Relative humidity
Complete robot during operation, transportation and storage	Max. 95% at constant temperature

1.3.3 Mounting the manipulator

Maximum load

Maximum load in relation to the base coordination system. See Figure below.

Floor mounted

Force	Endurance load (in operation)	Max. load (emergency stop)
Force xy	±910 N	±1620 N
Force z	-550 ±980 N	-550 ±1610 N
Torque xy	±570 Nm	±1550 Nm
Torque z	±280 Nm	±580 Nm

Wall mounted

Force	Endurance load (in operation)	Max. load (emergency stop)
Force xy	±1210 N	±1940 N
Force z	0 ±900 N	0 ±1340 N
Torque xy	±700 Nm	±1650 Nm
Torque z	±300 Nm	±610 Nm

Suspended mounting

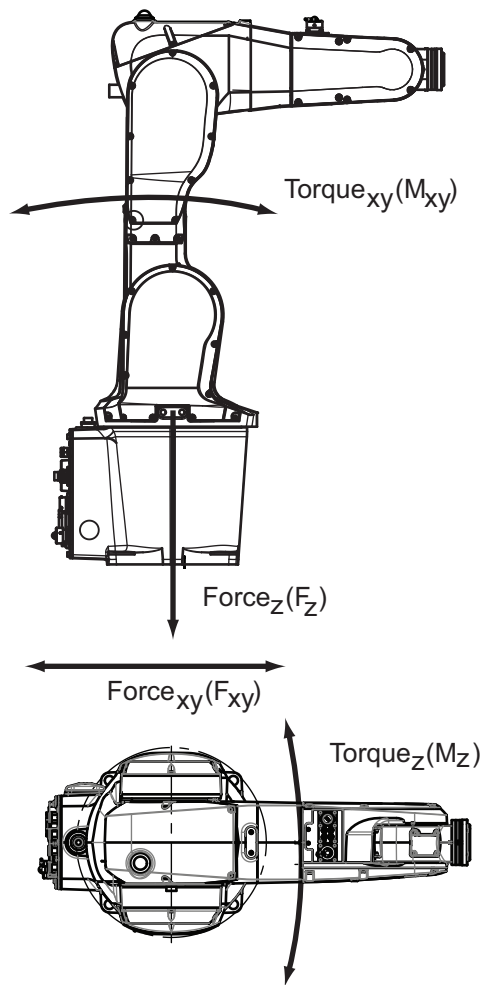
Force	Endurance load (in operation)	Max. load (emergency stop)
Force xy	±910 N	±1620 N
Force z	+550 ±980 N	+550 ±1610 N
Torque xy	±570 Nm	±1550 Nm
Torque z	±280 Nm	±580 Nm

Continues on next page

1 Description

1.3.3 Mounting the manipulator

Continued



xx1300000367

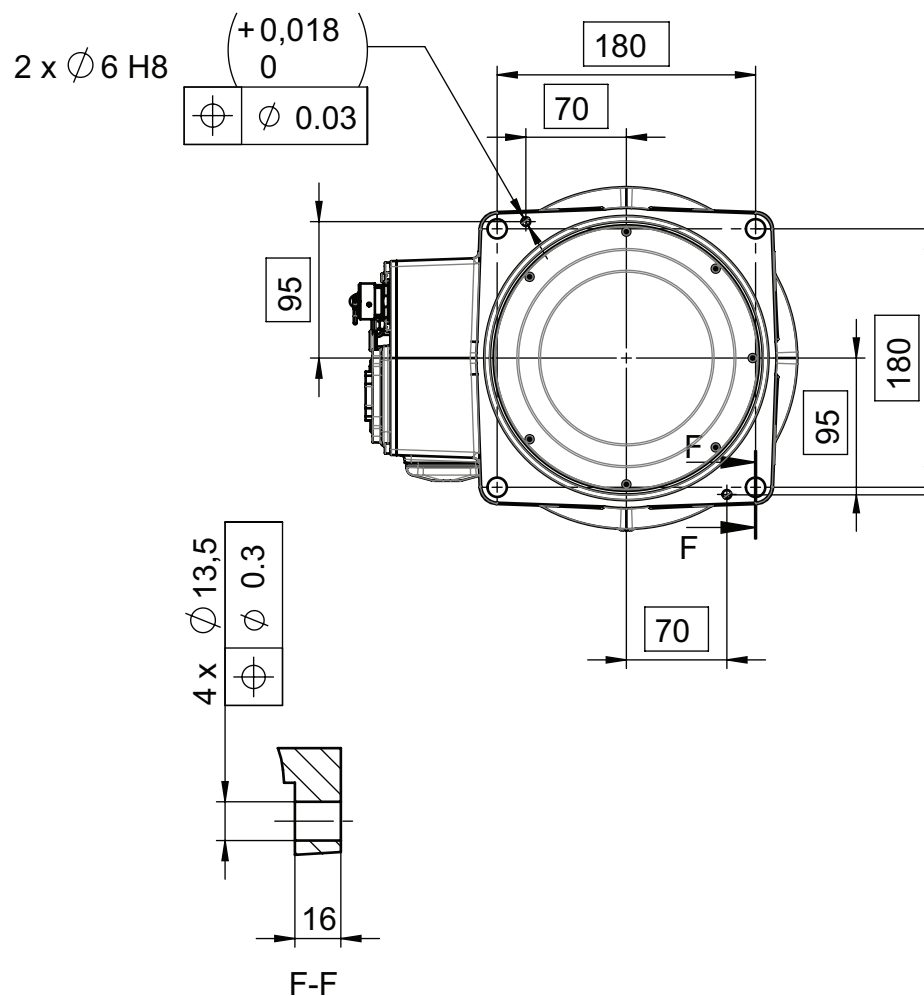
Note regarding M_{xy} and F_{xy}

The bending torque (M_{xy}) can occur in any direction in the XY-plane of the base coordinate system. The same applies to the transverse force (F_{xy}).

Continues on next page

Fastening holes robot base

View from below.



xx130000368

Attachment bolts, specification

The table specifies the type of securing screws and washers to be used to secure the robot directly to the foundation. It also specifies the type of pins to be used.

Suitable screws	M12x35 (robot installation directly on foundation)		
Quantity	4 pcs		
Quality	8.8		
Suitable washer	13 x 20 x 2, steel hardness class 300HV		
Guide pins	2 pcs, D6x20, ISO 2338 - 6m6x20 - A1		
Tightening torque	55 Nm ± 5 Nm		
Level surface requirements	<table border="1" style="display: inline-table;"> <tr> <td></td> <td>0.2</td> </tr> </table>		0.2
	0.2		

xx0900000643

1 Description

1.4.1 Introduction to load diagram

1.4 Load diagram

1.4.1 Introduction to load diagram

Information



WARNING

It is very important to always define correct actual load data and correct payload of the robot. Incorrect definitions of load data can result in overloading of the robot.

If incorrect load data and/or loads are outside load diagram is used the following parts can be damaged due to overload:

- motors
- gearboxes
- mechanical structure



WARNING

In the robot system is the service routine LoadIdentify available, which allows the user to make an automatic definition of the tool and load, to determine correct load parameters. For detailed information, see *Operating manual - IRC5 with FlexPendant*.



WARNING

Robots running with incorrect load data and/or with loads outside diagram, will not be covered by robot warranty.

General

The load diagram includes a nominal pay load inertia, J_0 of 0.06 kgm^2 and an extra load of 0.3 kg at the upper arm housing. At different moment of inertia the load diagram will be changed. For robots that are allowed tilted, wall or inverted mounted, the load diagrams as given are valid and thus it is also possible to use RobotLoad within those tilt and axis limits.

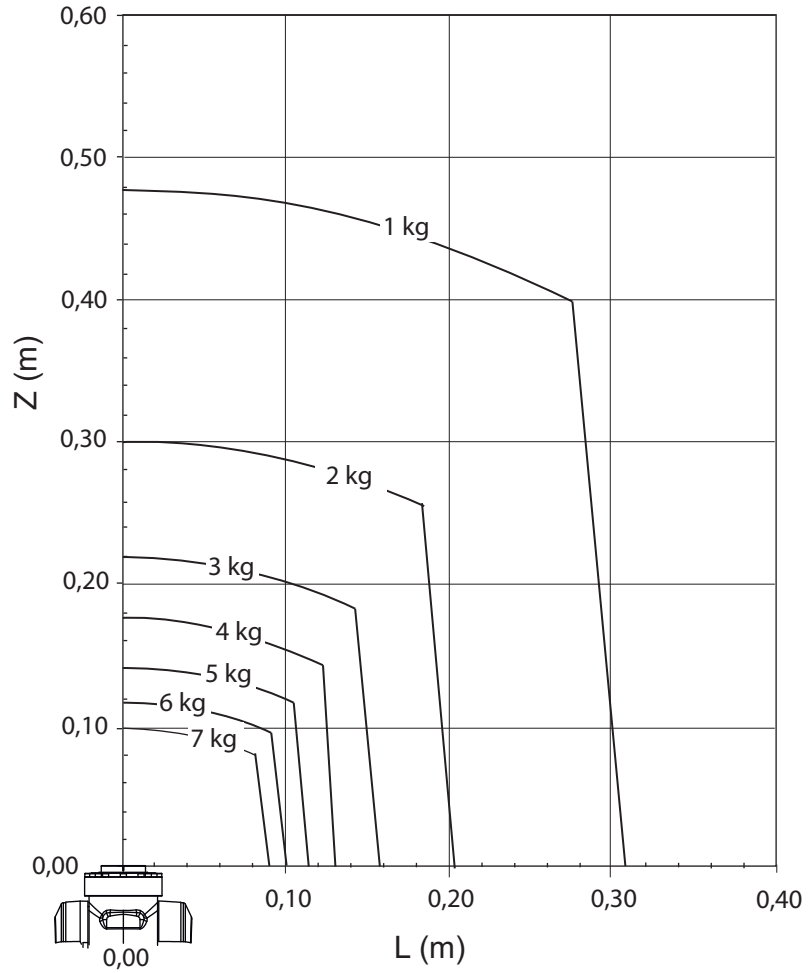
Control of load case by "RobotLoad"

To easily control a specific load case, use the calculation program ABB RobotLoad. Contact your local ABB organization for more information.

The result from RobotLoad is only valid within the maximum loads and tilt angles. There is no warning if the maximum permitted armload is exceeded. For over load cases and special applications, contact ABB for further analysis.

1.4.2 Load diagram

IRB 1200 - 7/0.7



xx130000371

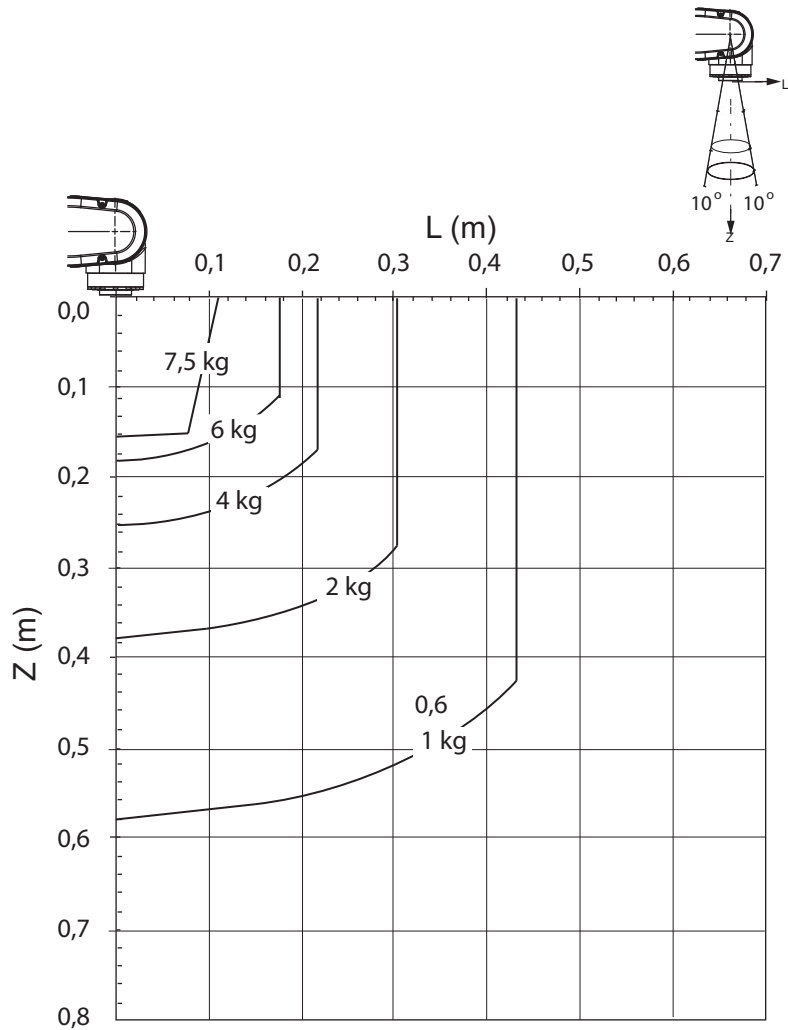
Continues on next page

1 Description

1.4.2 Load diagram

Continued

IRB 1200 - 7/0.7 "Vertical wrist" ($\pm 10^\circ$)



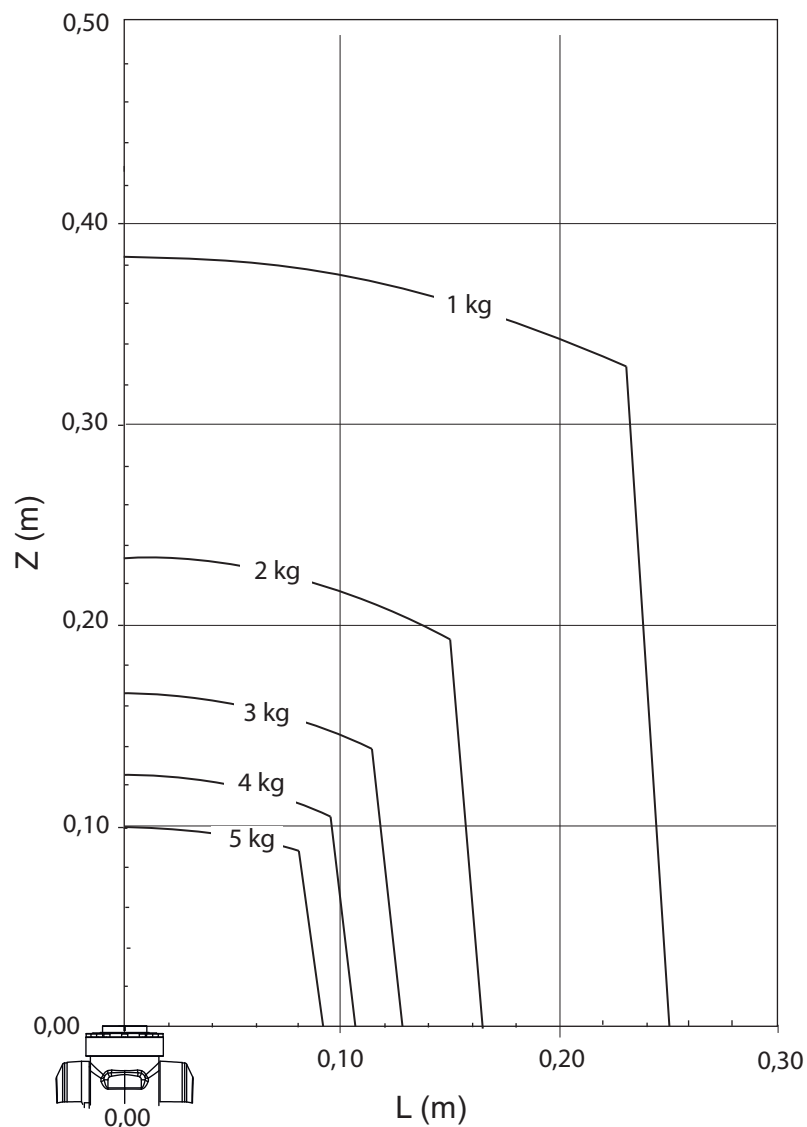
xx1300000372

For wrist down (0° deviation from the vertical line).

	Description
Max load	7.5 kg
Z_{\max}	0.159 m
L_{\max}	0.109 m

Continues on next page

IRB 1200 - 5/0.9



xx130000369

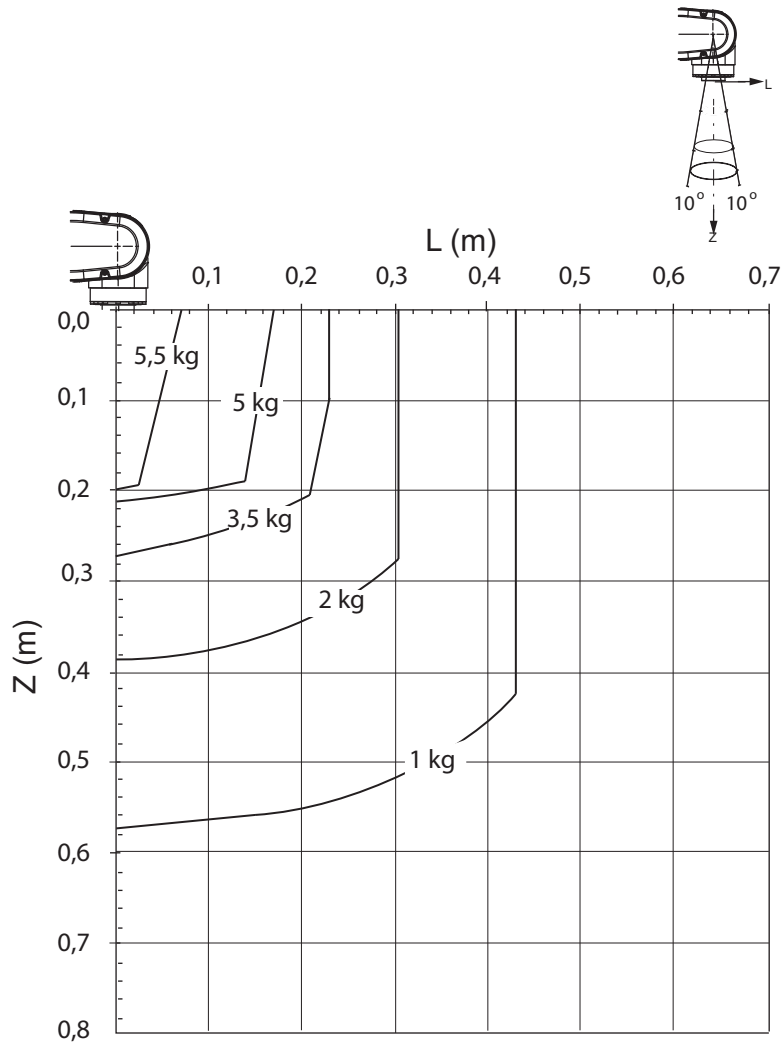
Continues on next page

1 Description

1.4.2 Load diagram

Continued

IRB 1200 - 5/0.9 "Vertical wrist" ($\pm 10^\circ$)



xx130000370

For wrist down (0° deviation from the vertical line).

	Description
Max load	5.5 kg
Z _{max}	0.199 m
L _{max}	0.069 m

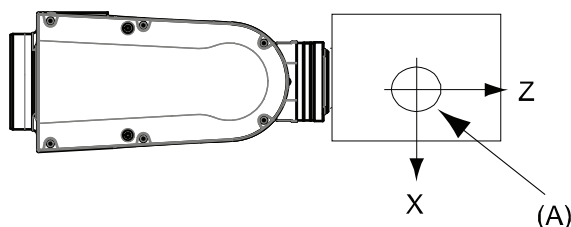
1.4.3 Maximum load and moment of inertia for axis 5

General

Total load given as: Mass in kg, center of gravity (Z and L) in m and moment of inertia (J_{ox} , J_{oy} , J_{oz}) in kgm^2 . $L = \sqrt{(x_2 + y_2)}$.

Full movement of Axis 5 ($\pm 130^\circ$)

Axis	Robot variant	Max. value
5	IRB 1200-7/0.7	$J_5 = \text{Mass} \times ((Z + 0.082)^2 + L^2) + \max(J_{ox}, J_{oy}) \leq 0.45 \text{ kgm}^2$
	IRB 1200-5/0.9	$J_5 = \text{Mass} \times ((Z + 0.082)^2 + L^2) + \max(J_{ox}, J_{oy}) \leq 0.45 \text{ kgm}^2$
6	IRB 1200-7/0.7	$J_6 = \text{Mass} \times L^2 + J_{oz} \leq 0.2 \text{ kgm}^2$
	IRB 1200-5/0.9	$J_6 = \text{Mass} \times L^2 + J_{oz} \leq 0.2 \text{ kgm}^2$



xx140000342

Position	Description
A	Center of gravity
J_{ox}, J_{oy}, J_{oz}	Max. moment of inertia around the X, Y and Z axes at center of gravity.

Limited axis 5, center line down

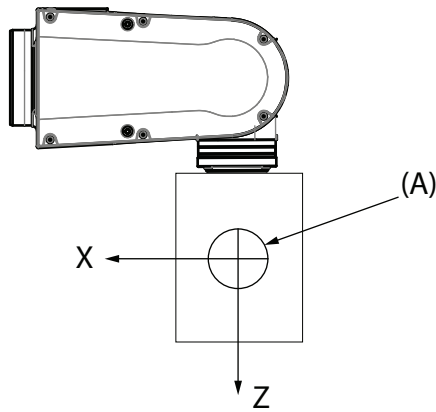
Axis	Robot variant	Max. value
5	IRB 1200-7/0.7	$J_5 = \text{Mass} \times ((Z + 0.082)^2 + L^2) + \max(J_{ox}, J_{oy}) \leq 0.45 \text{ kgm}^2$
	IRB 1200-5/0.9	$J_5 = \text{Mass} \times ((Z + 0.082)^2 + L^2) + \max(J_{ox}, J_{oy}) \leq 0.45 \text{ kgm}^2$
6	IRB 1200-7/0.7	$J_6 = \text{Mass} \times L^2 + J_{oz} \leq 0.2 \text{ kgm}^2$
	IRB 1200-5/0.9	$J_6 = \text{Mass} \times L^2 + J_{oz} \leq 0.2 \text{ kgm}^2$

Continues on next page

1 Description

1.4.3 Maximum load and moment of inertia for axis 5

Continued



xx1400000343

Pos	Description
A	Center of gravity
J_{ox}, J_{oy}, J_{oz}	Max. moment of inertia around the X, Y and Z axes at center of gravity.

Wrist torque

The table below shows the maximum permissible torque due to payload.



Note

The values are for reference only, and should not be used for calculating permitted load offset (position of center of gravity) within the load diagram, since those also are limited by main axes torques as well as dynamic loads. Also arm loads will influence the permitted load diagram, contact your local ABB organization.

Robot variant	Max wrist torque axis 4 and 5	Max wrist torque axis 6	Max torque valid at load
IRB 1200-7/0.7	12.5 Nm	6.2 Nm	7 kg
IRB 1200-5/0.9	8.9 Nm	4.4 Nm	5 kg

Continues on next page

1.4.3.1 Maximum TCP acceleration

General

Higher values can be reached with lower loads than the nominal because of our dynamical motion control QuickMove2. For specific values in the unique customer cycle, or for robots not listed in the table below, we recommend then to use RobotStudio.

Maximum Cartesian design acceleration for nominal loads

Robot type	E-stop Max acceleration at nominal load COG [m/s ²]	Controlled Motion Max acceleration at nominal load COG [m/s ²]
IRB 1200-7/0.7	88	68
IRB 1200-5/0.9	94	79



Note

Acceleration levels for E-stop and controlled motion includes acceleration due to gravitational forces. Nominal load is define with nominal mass and cog with max offset in Z and L (see load diagram).

1 Description

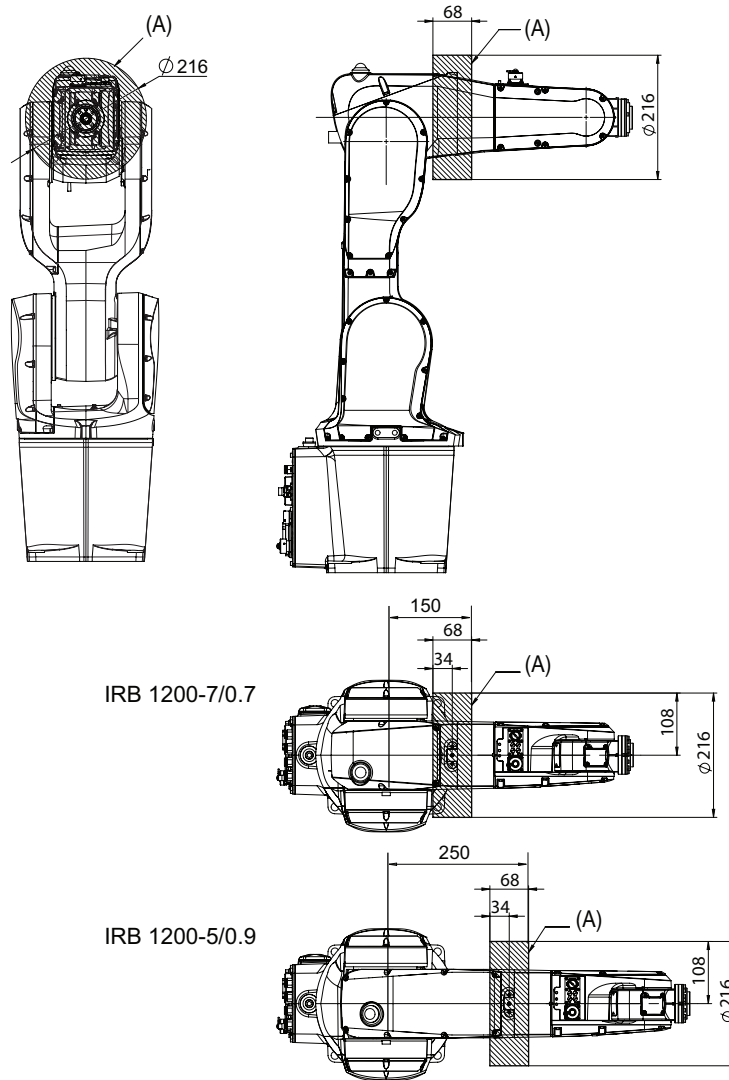
1.5.1 Introduction to fitting of equipment

1.5 Fitting of equipment

1.5.1 Introduction to fitting of equipment

General

Extra loads can be mounted on to the upper arm. Definitions of load area and permitted load are shown in figure below. The center of gravity of the extra load shall be within the marked load areas. The robot is supplied with holes for fitting of extra equipment. (See [Holes for fitting extra equipment on page 33](#)).

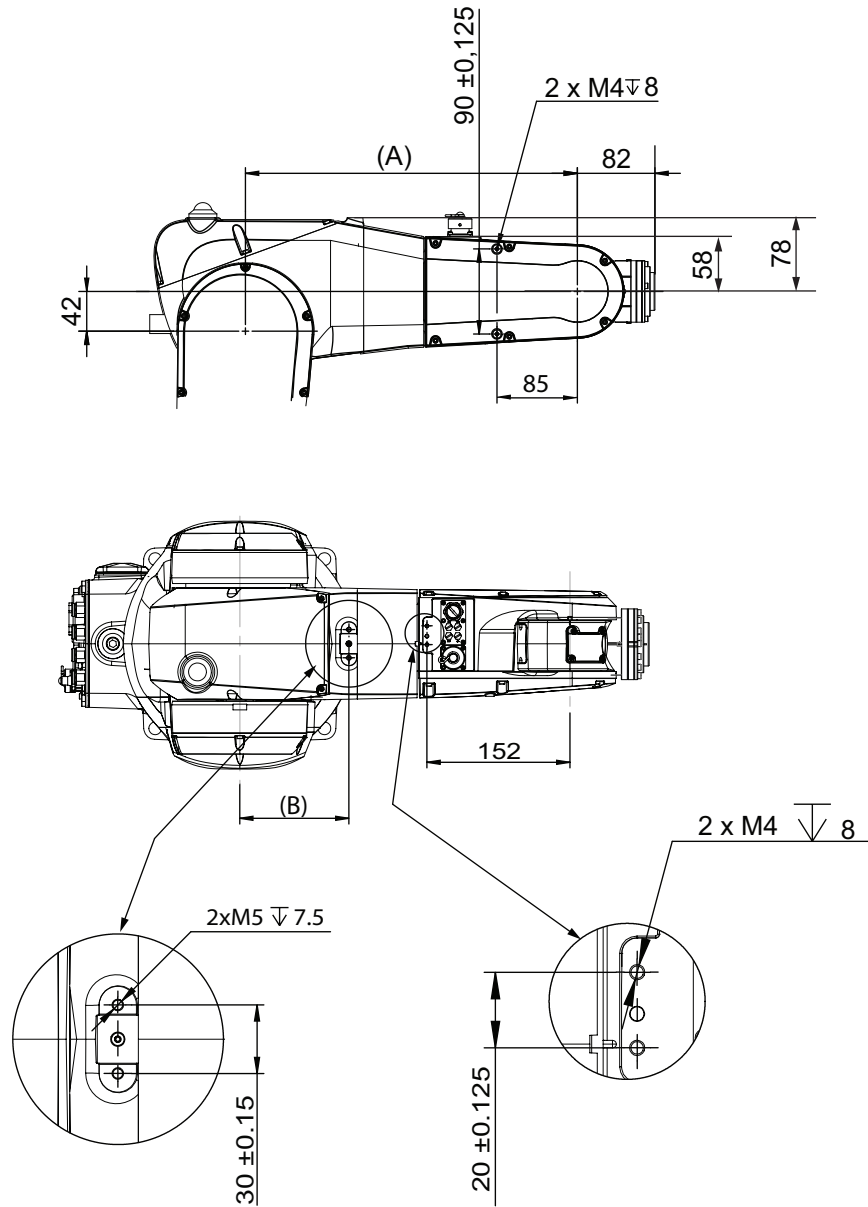


xx130000384

Load area (A)	Max load
IRB 1200-5/0.9	0.3 kg
IRB 1200-7/0.7	

1.5.2 Holes for fitting extra equipment

Upper arm



xx1300000381

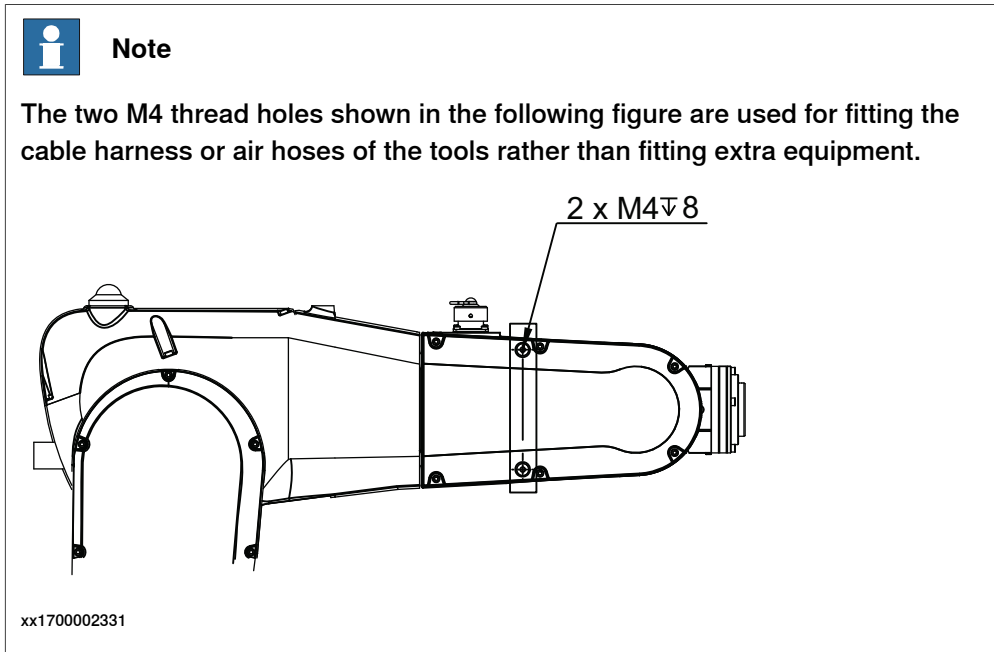
Pos	Description
A	IRB 1200-5/0.9 = 451 mm, IRB 1200-7/0.7 = 351 mm
B	IRB 1200-5/0.9 = 216 mm, IRB 1200-7/0.7 = 116 mm

Continues on next page

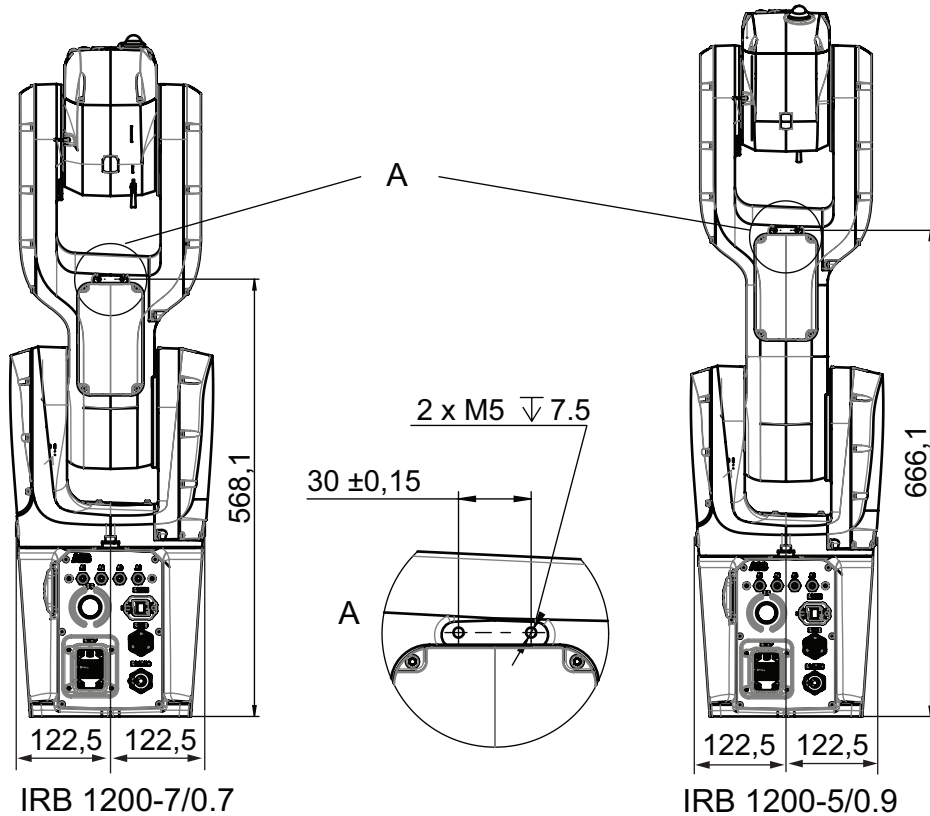
1 Description

1.5.2 Holes for fitting extra equipment

Continued

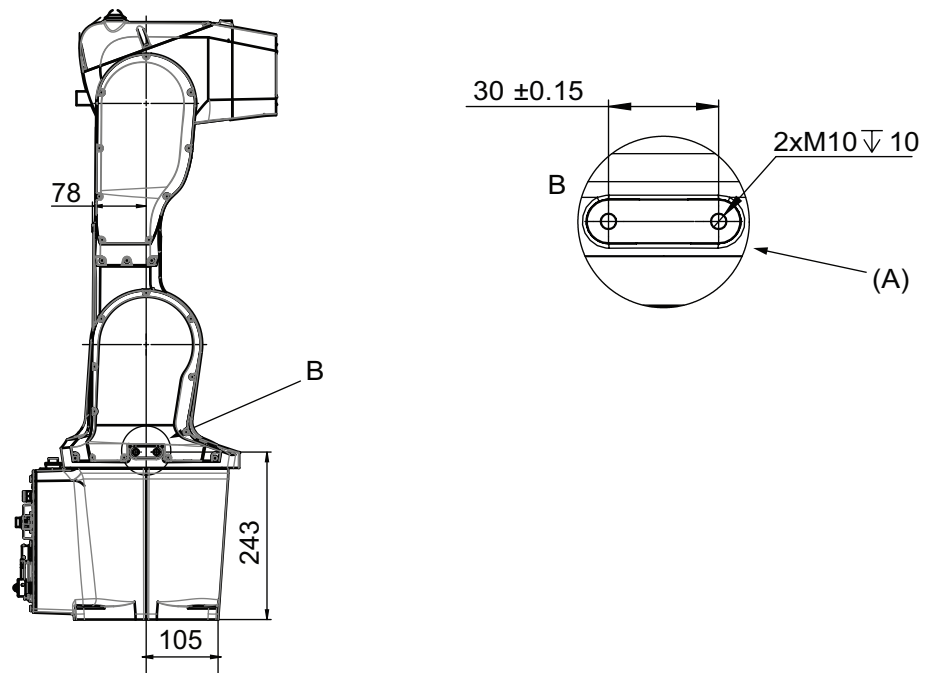


Lower arm



Continues on next page

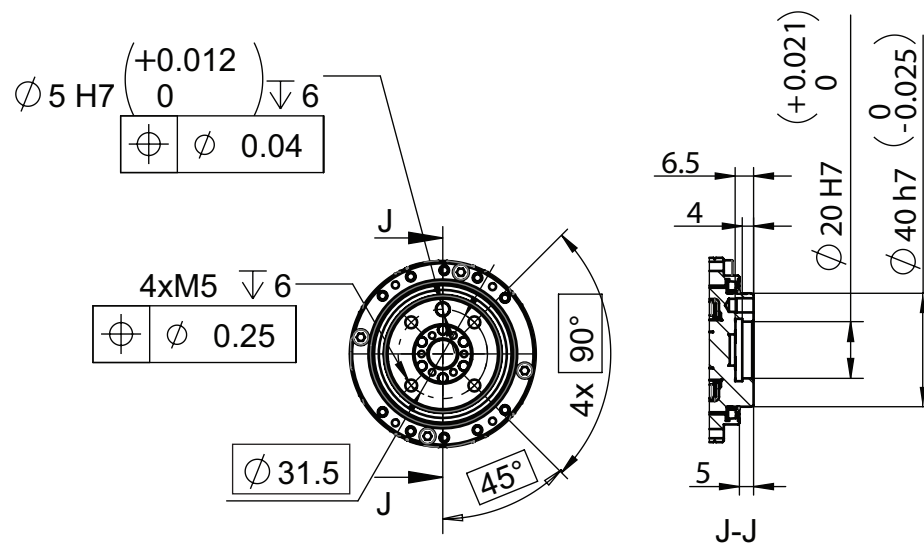
Frame



xx140000590

Pos	Description
A	Holes on both sides

Robot tool flange



xx130000383

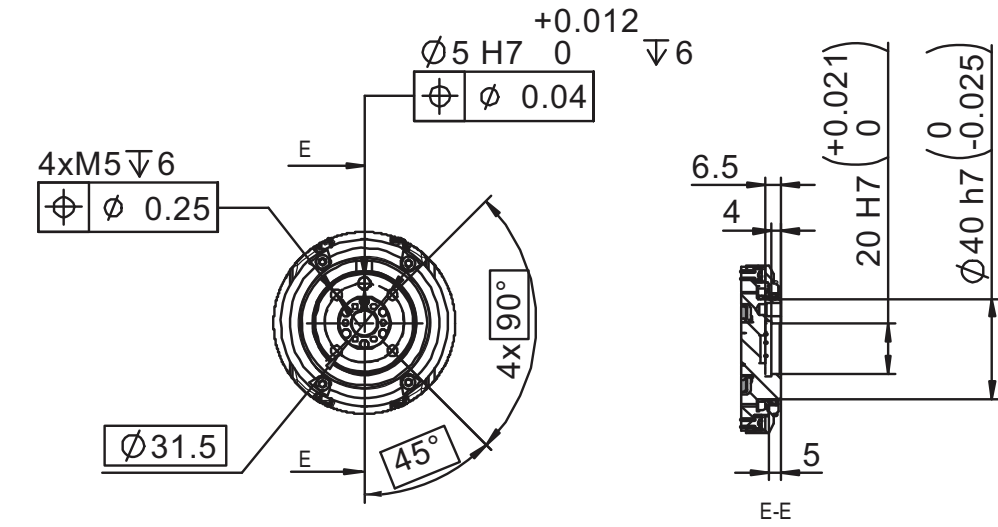
Continues on next page

1 Description

1.5.2 Holes for fitting extra equipment

Continued

Robot tool flange for Foundry Plus robots



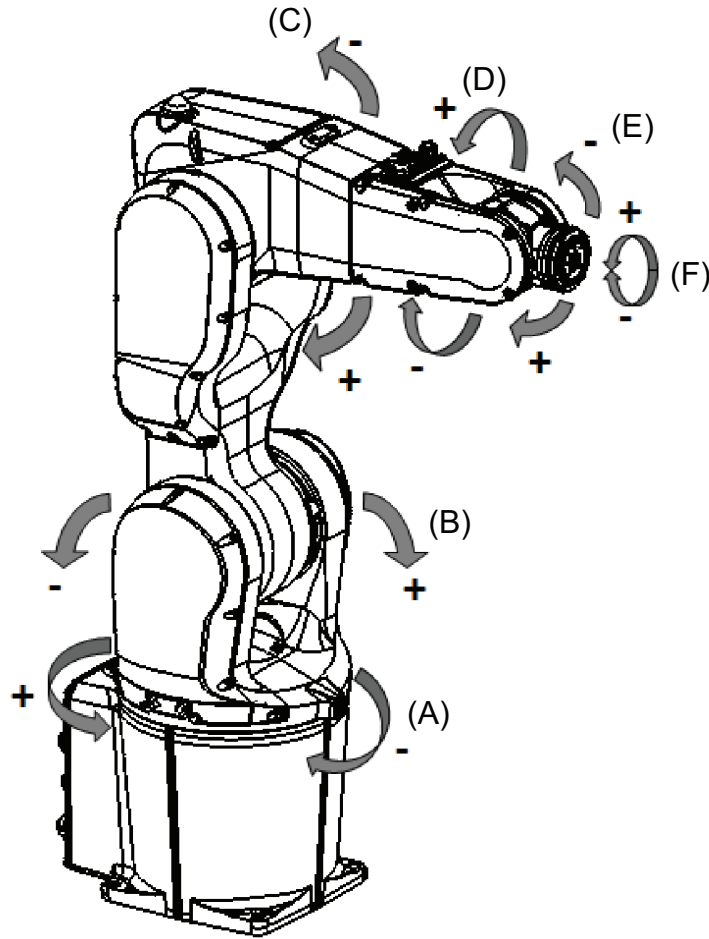
xx1600001322

1.6 Calibration

1.6.1 Fine calibration

General

Fine calibration is made by moving the axes to a fixed position on the frame. For detailed information on calibration of the robot see *Product manual - IRB 1200*.



xx130000365

Position	Description	Position	Description
A	Axis 1	B	Axis 2
C	Axis 3	D	Axis 4
E	Axis 5	F	Axis 6

Continues on next page

1 Description

1.6.1.1 Absolute Accuracy calibration

1.6.1.1 Absolute Accuracy calibration

General

Requires RobotWare option *Absolute Accuracy*, see *Product specification - Controller software IRC5* for more details.

The calibration concept

Absolute Accuracy (AbsAcc) is a calibration concept, which ensures a TCP absolute accuracy of better than ± 1 mm in the entire working range.

Absolute accuracy compensates for:

- Mechanical tolerances in the robot structure
- Deflection due to load

Absolute accuracy calibration is focusing on positioning accuracy in the cartesian coordinate system for the robot. It also includes load compensation for deflection caused by the tool and equipment. Tool data from robot program is used for this purpose. The positioning will be within specified performance regardless of load.

Calibration data

The user is supplied with robot calibration data (compensation parameters saved on the manipulator SMB) and a certificate that shows the performance (Birth certificate). The difference between an ideal robot and a real robot without AbsAcc may reach up to 8 mm, resulting from mechanical tolerances and deflection in the robot structure.

If there is a difference, at first start-up, between calibration data in controller and the robot SMB, correct by copying data from SMB to controller.

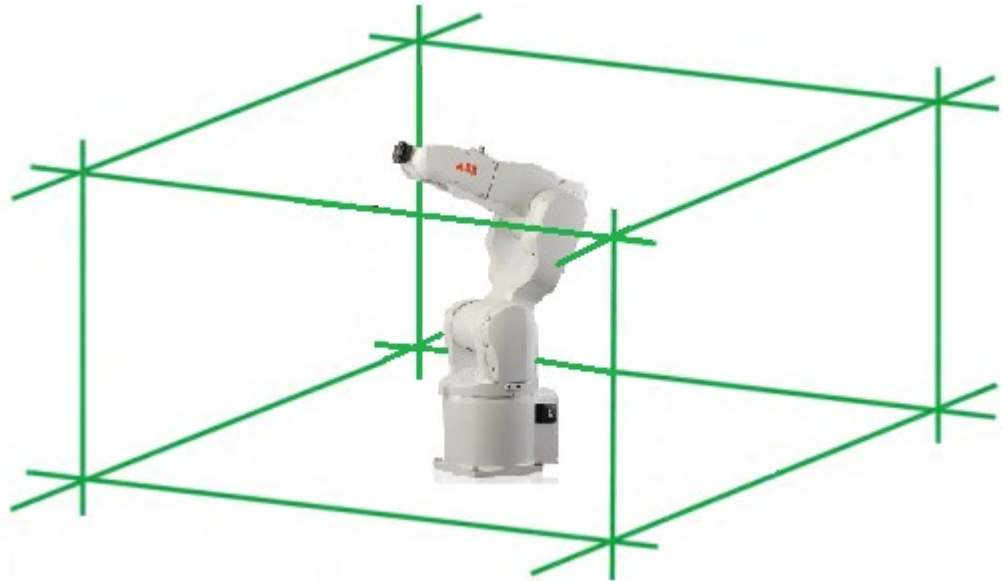
Absolute Accuracy option

Absolute Accuracy option is integrated in the controller algorithms for compensation of this difference and does not need external equipment or calculation.

Absolute Accuracy is a RobotWare option and includes an individual calibration of the robot (mechanical arm).

Continues on next page

Absolute Accuracy is a TCP calibration in order to reach a good positioning in the Cartesian coordinate system.



xx170000069

Production data

Typical production data regarding calibration are:

Robot	Positioning accuracy (mm)		
	Average	Max	% Within 1 mm
IRB1200-7/0.7	0.13	0.30	100
IRB1200-5/0.9	0.14	0.45	100

1 Description

1.7.1 Introduction to maintenance and trouble shooting

1.7 Maintenance and troubleshooting

1.7.1 Introduction to maintenance and trouble shooting

General

The robot requires only a minimum of maintenance during operation. It has been designed to make it as easy to service as possible:

- Maintenance-free AC motors are used.
- Grease used for all gearboxes.
- The cabling is routed for longevity, and in the unlikely event of a failure, its modular design makes it easy to change.

Maintenance

The maintenance intervals depend on the use of the robot, the required maintenance activities also depends on selected options. For detailed information on maintenance procedures, see *Maintenance* section in the *Product Manual - IRB 1200*.

1.8 Robot motion

1.8.1 Working range and type of motion

Robot motion

Location of motion	Type of motion	IRB 1200-7/0.7	IRB 1200-5/0.9
Axis 1	Rotation motion	+170° to -170°	+170° to -170°
Axis 2	Arm motion	+135° to -100°	+130° to -100°
Axis 3	Arm motion	+70° to -200°	+70° to -200°
Axis 4	Wrist motion	+270° to -270°	+270° to -270°
Axis 5	Bend motion	+130° to -130°	+130° to -130°
Axis 6	Turn motion	Default: +400° to -400° Maximum revolution: ±242 ⁱ	Default: +400° to -400° Maximum revolution: ±242 ⁱ

ⁱ The default working range for axis 6 can be extended by changing parameter values in the software. Option 610-1 Independent axis can be used for resetting the revolution counter after the axis has been rotated (no need for "rewinding" the axis).

Continues on next page

1 Description

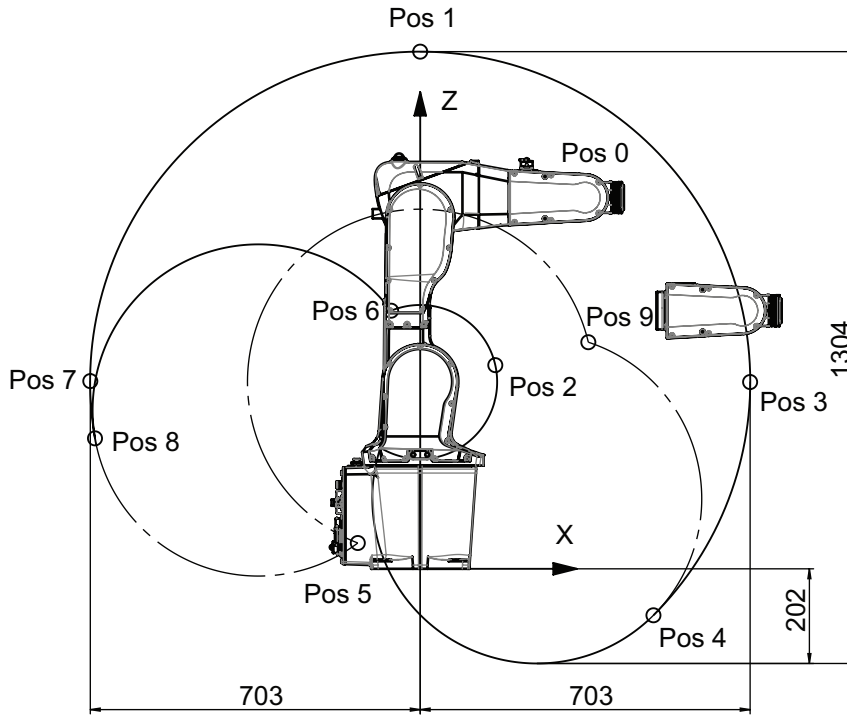
1.8.1 Working range and type of motion

Continued

Working range

IRB 1200-7/0.7 Working range, positions at wrist center and angle of axes 2 and 3

The illustration shows the unrestricted working range of the robot.



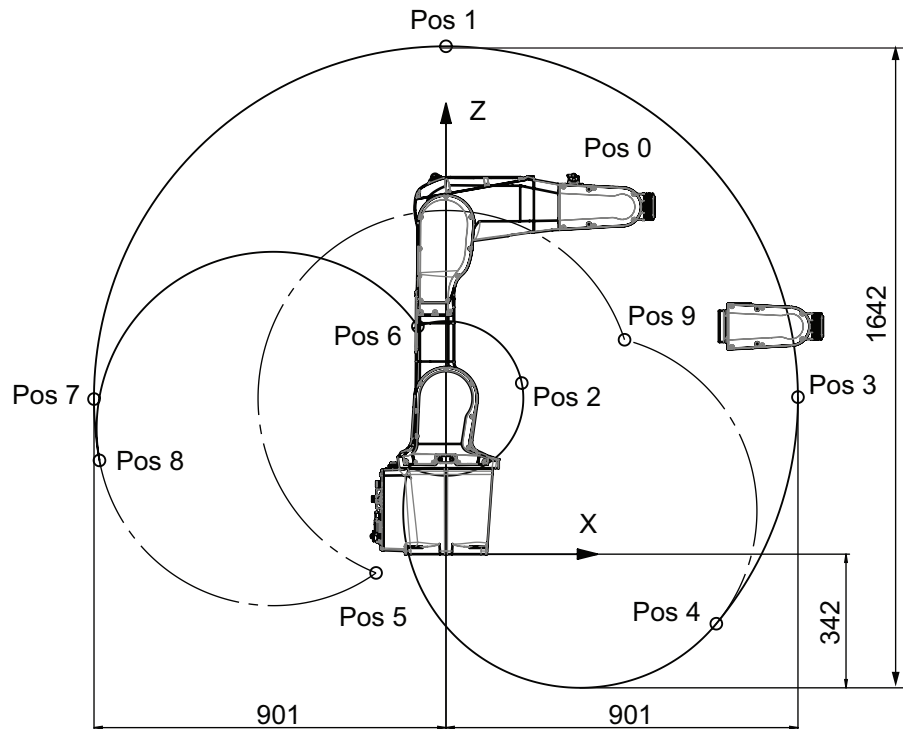
xx1300000386

Position in the figure	Positions at wrist center (mm)		Angle (degrees)	
	X	Z	Axis 2	Axis 3
Pos0	351	791	0°	0°
Pos1	0	1102	0°	-83°
Pos2	160	434	0°	+70°
Pos3	703	398	+90°	-83°
Pos4	497	-99	+135°	-83°
Pos5	-133	55	-100°	-200°
Pos6	-62	550	-100°	+70°
Pos7	-703	400	-90°	-83°
Pos8	-693	278	-100°	-83°
Pos9	358	488	+135°	-200°

Continues on next page

IRB 1200-5/0.9 Working range, positions at wrist center and angle of axes 2 and 3

The illustration shows the unrestricted working range of the robot.



xx130000387

Position in the figure	Positions at wrist center (mm)		Angle (degrees)	
	X	Z	Axis 2	Axis 3
Pos0	451	889	0°	0°
Pos1	0	1300	0°	-85°
Pos2	194	438	0°	+70°
Pos3	901	402	+90°	-85°
Pos4	692	-178	+130°	-85°
Pos5	-179	-48	-100°	-200°
Pos6	-72	583	-100°	+70°
Pos7	-901	397	-90°	-85°
Pos8	-887	240	-100°	-85°
Pos9	458	549	+130°	-200°

1 Description

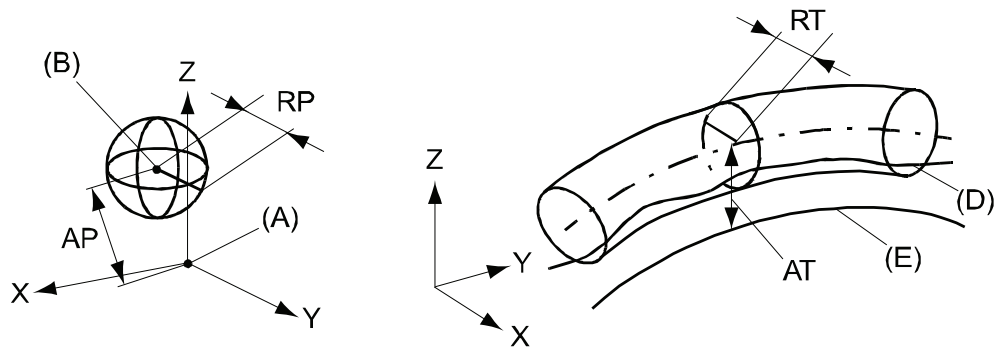
1.8.2 Performance according to ISO 9283

1.8.2 Performance according to ISO 9283

General

At rated maximum load, maximum offset and 1.6 m/s velocity on the inclined ISO test plane, with all six axes in motion. Values in the table below are the average result of measurements on a small number of robots. The result may differ depending on where in the working range the robot is positioning, velocity, arm configuration, from which direction the position is approached, the load direction of the arm system. Backlashes in gearboxes also affect the result.

The figures for AP, RP, AT and RT are measured according to figure below.



xx0800000424

Position	Description	Position	Description
A	Programmed position	E	Programmed path
B	Mean position at program execution	D	Actual path at program execution
AP	Mean distance from programmed position	AT	Max deviation from E to average path
RP	Tolerance of position B at repeated positioning	RT	Tolerance of the path at repeated program execution

Description	Values	
	IRB 1200 - 5/0.9	IRB 1200-7/0.7
Pose repeatability, RP (mm)	0.025	0.02
Pose accuracy, AP (mm)	0.02	0.02
Linear path repeatability, RT (mm)	0.07	0.02
Linear path accuracy, AT (mm)	0.53	0.77
Pose stabilization time, Pst (s) within 0.1 mm of the position	0.113	0.057

1.8.3 Velocity**General**

Robot variant	Axis 1	Axis 2	Axis 3	Axis 4	Axis 5	Axis 6
IRB 1200-5/0.9	288 °/s	240 °/s	300 °/s	400 °/s	405 °/s	600 °/s
IRB 1200-7/0.7	288 °/s	240 °/s	300 °/s	400 °/s	405 °/s	600 °/s

Supervision is required to prevent overheating in applications with intensive and frequent movements.

Resolution

Approximately 0.01° on each axis.

1 Description

1.8.4 Stopping distance / time

1.8.4 Stopping distance / time

General

Stopping distance/time for emergency stop (category 0), program stop (category 1) and at main power supply failure at max speed, max stretched out and max load, categories according to EN 60204-1. All results are from tests on one moving axis. All stop distances are valid for floor mounted robot, without any tilting.

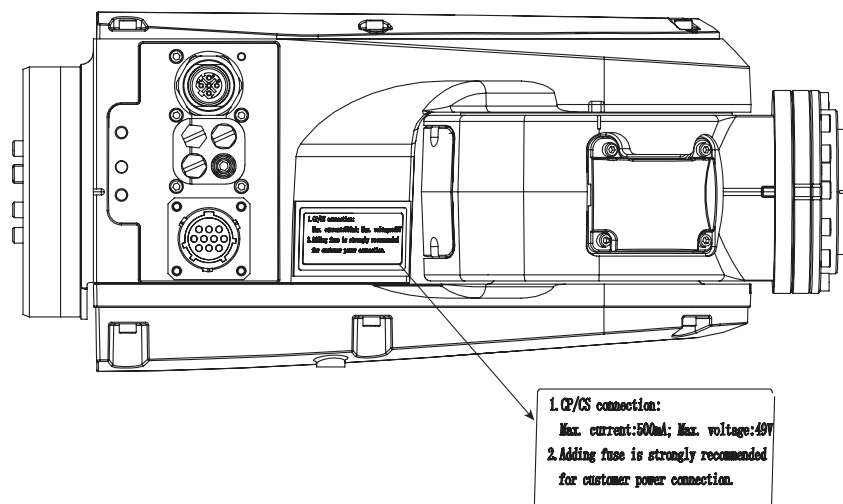
		IRB 1200-7/0.7		IRB 1200-5/0.9	
		Stop time (s)	Stopping distance (°)	Stop time (s)	Stopping distance (°)
Category 0	Axis 1	0.23	36	0.24	49
	Axis 2	0.24	28	0.29	40
	Axis 3	0.21	22	0.34	53
Category 1	Axis 1	0.43	75	0.41	70
	Axis 2	0.40	46	0.34	66
	Axis 3	0.40	34	0.36	53
Main power failure	Axis 1	0.25	49	0.25	42
	Axis 2	0.22	29	0.31	54
	Axis 3	0.31	34	0.21	33

1.9 Customer connections

Introduction to customer connections

The cables for customer connection are integrated in the robot and the connectors are placed on the tubular housing (upper arm) and one at the base. There is one connector R4.CP/CS at the tubular housing. Corresponding connector R1.CP/CS is located at the base.

It is recommended to use a fuse protector for customer connection; otherwise, application overload will burn out the CP/CS cables in the robot. Detailed information about the CP/CS connection is provided in a warning label on the tubular housing.



xx1600001687

There is also connections for Ethernet, one connector R4.Ethernet at the tubular housing and the corresponding connector R1.Ethernet located at the base.

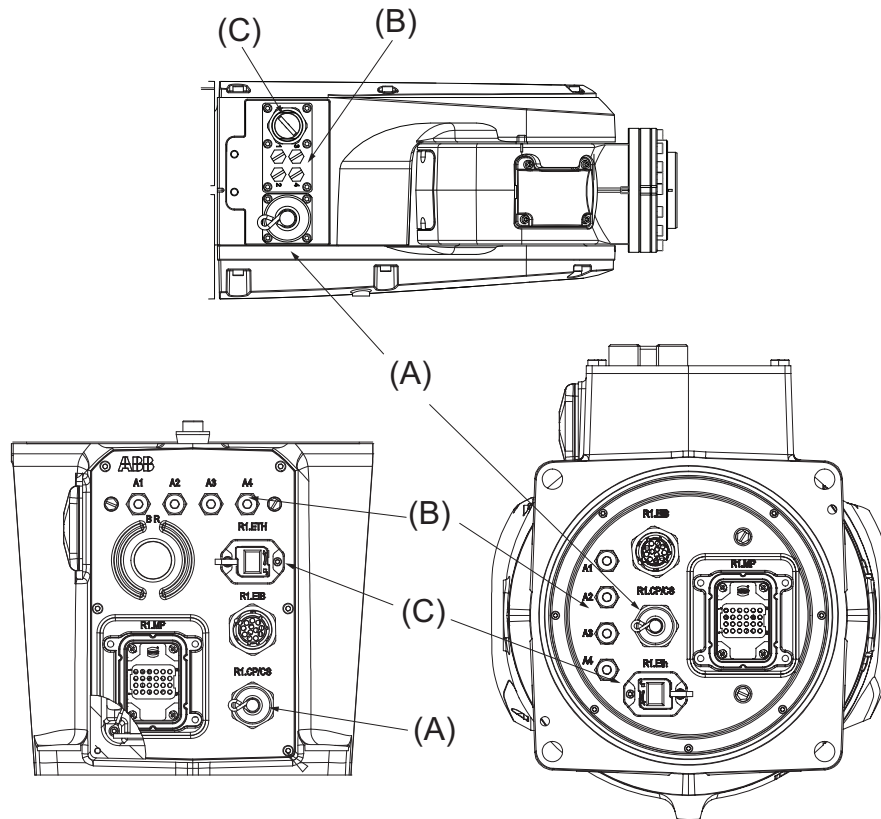
Continues on next page

1 Description

1.9 Customer connections

Continued

Hose for compressed air is also integrated into the manipulator. There are 4 inlets at the base (R1/8") and 4 outlets (M5) on the tubular housing.



xx1300000385

Position	Connection	Description	Number	Value
A	(R1)R4.CP/CS	Customer power/signal	10	49 V, 500 mA
B	Air	Max. 5 bar	4	Inner hose diameter 4 mm
C	(R1)R4.Ethernet	Customer Ethernet	8	100/10 Base-TX

Connectors

The tables describes the connectors on base and tubular housing (upper arm).

Connectors, base

Position	Description	Art. no.
Robot	Pin connector 10p, bulkhead	3HAC022117-002
Customer connector	Connector set R1.CP/CS	3HAC037038-001

Connectors, tubular housing

Position	Description	Art. no.
Robot	Socket connector 10p, flange mounted	3HAC023624-002
Customer connector	Connector set R3.CP/CS	3HAC037070-001

Continues on next page

Air, connector

Position	Description	Art. no.
Robot	4xM5	
Customer cable	Air connector	3HAC032049-001

This page is intentionally left blank

2 Specification of variants and options

2.1 Introduction to variants and options

General

The different variants and options for the IRB 1200 are described in the following sections. The same option numbers are used here as in the specification form.

Related information

For the controller see *Product specification - Controller IRC5*.

For the software options see *Product specification - Controller software IRC5*.

2 Specification of variants and options

2.2 Manipulator

2.2 Manipulator

Variants

Option	IRB Type	Handling capacity (kg) / Reach (m)
435-121	IRB 1200	7/0.7
435-122	IRB 1200	5/0.9

Manipulator color

Option	Description	Note
209-1	ABB Orange standard	
209-2	ABB White standard	
209-202	ABB Graphite White standard	Standard color
209-4 -192	The manipulator is painted with the chosen RAL-color.	



Note

Notice that delivery time for painted spare parts will increase for none standard colors.

Protection

Option	Description
287-4	Standard
287-10	IP67/66
287-1	Clean Room The robot is labelled "Clean Room"
287-3	Foundry Plus 2 See Protection type Foundry Plus 2 on page 11 for a complete description of protection type Foundry Plus 2.

Lubrication

Option	Description
777-1	Manipulator lubricated with food grade lubrication.



Note

This option is released from RobotWare 6.03 as IRB1200FGL-5/0.9 and IRB1200FGL-7/0.7.

Continues on next page

Media & Communication

Air supply and signals for extra equipment upper arm, see [Customer connections on page 47](#).

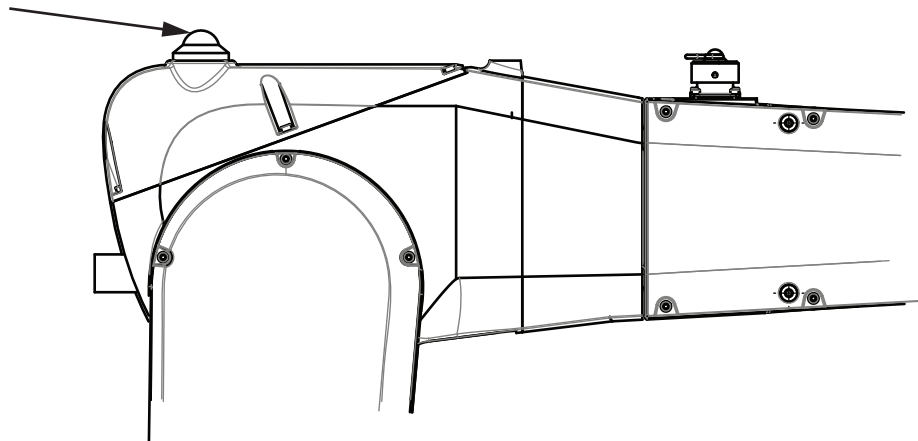
Option	Type	Description
803-1	Parallel communication and air	Includes customer power CP and customer signals CS + air.
803-2	Ethernet, parallel communication and air	Includes CP, CS and PROFINET or Ethernet + air.

Connector kit

Option	Description
431-1	For the connectors on the upper arm, customer connection.
239-1	For the connectors on the foot.

Safety lamp

Option	Description
213-1	Safety lamp, safety lamp with an orange fixed light can be mounted on the manipulator. The lamp is active in MOTORS ON mode. The safety lamp is required on a UL/UR approved robot.



xx130000389

Robot cabling routing

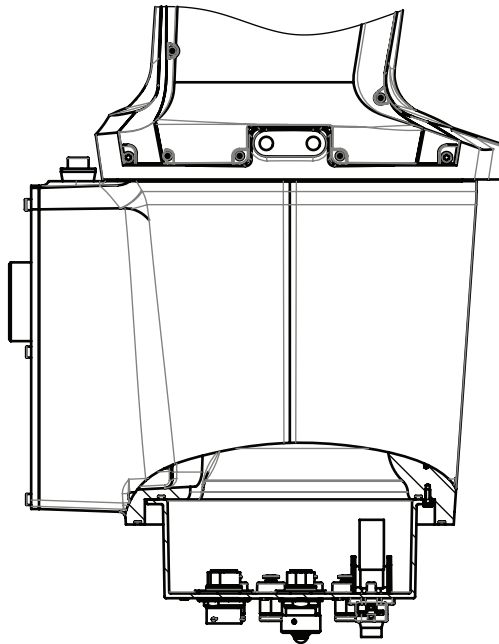
Option	Description
966-1	Manipulator cables routed from below, underneath the base of the manipulator.

Continues on next page

2 Specification of variants and options

2.2 Manipulator

Continued




xx1300000388

Warranty

Option	Type	Description
438-1	Standard warranty	Standard warranty is 12 months from <i>Customer Delivery Date</i> or latest 18 months after <i>Factory Shipment Date</i> , whichever occurs first. Warranty terms and conditions apply.
438-2	Standard warranty + 12 months	Standard warranty extended with 12 months from end date of the standard warranty. Warranty terms and conditions apply. Contact Customer Service in case of other requirements.
438-4	Standard warranty + 18 months	Standard warranty extended with 18 months from end date of the standard warranty. Warranty terms and conditions apply. Contact Customer Service in case of other requirements.
438-5	Standard warranty + 24 months	Standard warranty extended with 24 months from end date of the standard warranty. Warranty terms and conditions apply. Contact Customer Service in case of other requirements.
438-6	Standard warranty + 6 months	Standard warranty extended with 6 months from end date of the standard warranty. Warranty terms and conditions apply.
438-7	Standard warranty + 30 months	Standard warranty extended with 30 months from end date of the standard warranty. Warranty terms and conditions apply.

Continues on next page

Option	Type	Description
438-8	Stock warranty	<p>Maximum 6 months postponed start of standard warranty, starting from factory shipment date. Note that no claims will be accepted for warranties that occurred before the end of stock warranty. Standard warranty commences automatically after 6 months from <i>Factory Shipment Date</i> or from activation date of standard warranty in WebConfig.</p> <p> Note</p> <p>Special conditions are applicable, see <i>Robotics Warranty Directives</i>.</p>

2 Specification of variants and options

2.3 Floor cables

2.3 Floor cables

Manipulator cable length

Option	Lengths
210-1	3 m
210-2	7 m
210-3	15 m
210-4	22 m
210-5	30 m

Connection of parallel communication

Option	Lengths
94-6	3 m
94-1	7 m
94-2	15 m
94-3	22 m
94-4	30 m

Connection of Ethernet

Option	Lengths
859-1	7 m
859-2	15 m
859-3	22 m
859-4	30 m
859-6	3 m

2.4 Control module

Safety robot supervision

Option	Description
1125-1	SafeMove Basic
1125-2	SafeMove Pro

2 Specification of variants and options

2.5 Process

2.5 Process

Process module

Option	Type	Description
768-1	Empty cabinet small	See <i>Product specification - Controller IRC5</i> , chapter 2.2.1
768-2	Empty cabinet large	See <i>Product specification - Controller IRC5</i> , chapter 2.2.1
715-1	Installation kit	See <i>Product specification - Controller IRC5</i> , chapter 2.2.1

2.6 User documentation

User documentation

The user documentation describes the robot in detail, including service and safety instructions.

All documents can be found via myABB Business Portal, www.myportal.abb.com.

This page is intentionally left blank

3 Accessories

3.1 Introduction to accessories

General

There is a range of tools and equipment available.

Basic software and software options for robot and PC

For more information, see *Product specification - Controller IRC5* and *Product specification - Controller software IRC5*.

Robot peripherals

- Motor Units¹

¹ Not applicable for IRC5 Compact controller.

This page is intentionally left blank

Index

A

accessories, 61

D

documentation, 59

E

equipment on robot, fitting, 33

F

fitting

extra equipment, 33

I

instructions, 59

M

manuals, 59

O

options, 51

P

product standards, 17

R

robot type

Type A, 9

Type B, 9

S

safety standards, 17

service instructions, 59

standards, 17

ANSI, 18

CAN, 18

EN, 18

EN IEC, 17

EN ISO, 17

standard warranty, 54

stock warranty, 54

U

user documentation, 59

V

variants, 51

W

warranty, 54



ABB AB, Robotics

Robotics and Motion

S-721 68 VÄSTERÅS, Sweden

Telephone +46 (0) 21 344 400

ABB AS, Robotics

Robotics and Motion

Nordlysvegen 7, N-4340 BRYNE, Norway

Box 265, N-4349 BRYNE, Norway

Telephone: +47 22 87 2000

ABB Engineering (Shanghai) Ltd.

Robotics and Motion

No. 4528 Kangxin Highway

PuDong District

SHANGHAI 201319, China

Telephone: +86 21 6105 6666

ABB Inc.

Robotics and Motion

1250 Brown Road

Auburn Hills, MI 48326

USA

Telephone: +1 248 391 9000

abb.com/robotics